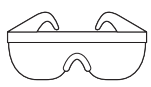


INSTALLATION INSTRUCTIONS

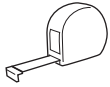
VERTICAL CABLE RAILING GATES

36" AND 42" HEIGHTS

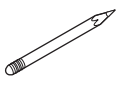
ITEMS REQUIRED FOR INSTALLATION



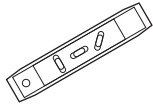
SAFETY GLASSES



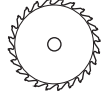
TAPE MEASURE



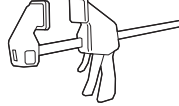
PENCIL



LEVEL



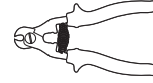
MITER SAW WITH NON-FERROUS BLADE



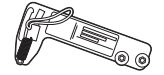
4 CLAMPS



CORDLESS DRILL

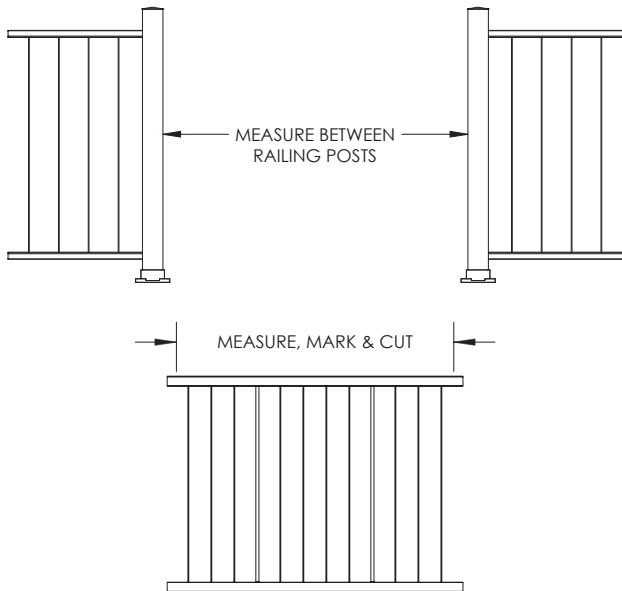


CABLE CUTTING TOOL (OPTIONAL)

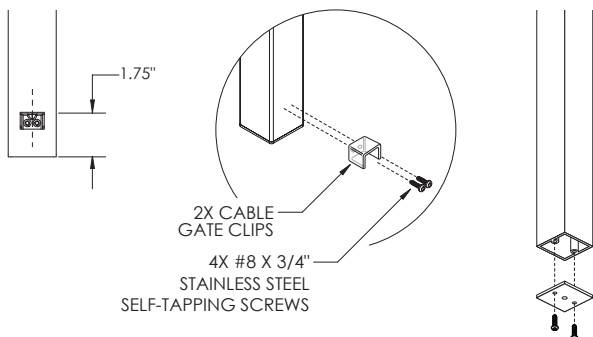


CABLE TENSION GAUGE (OPTIONAL)

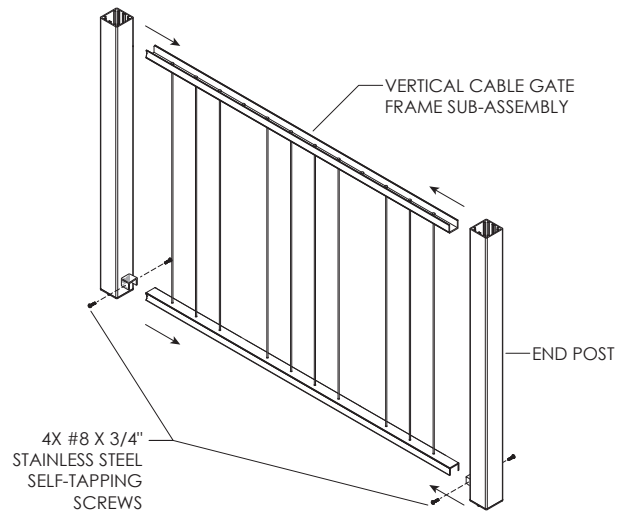
1 Measure gate opening between posts. If gate opening is less than 49", the gate will need to be cut down to fit. Cable gate panel (without gate end posts) must be exactly 5" less than gate opening. Deduct 5" from opening measurement and cut both panel ends, leaving equal cable spacing. Clean cut areas and apply touch-up paint on all exposed metal. NOTE: Cut up to 1" from each end without removing a cable; space is needed for support brackets. If a cable is removed, ensure spacing between last cable and gate end post does not exceed 3.5".



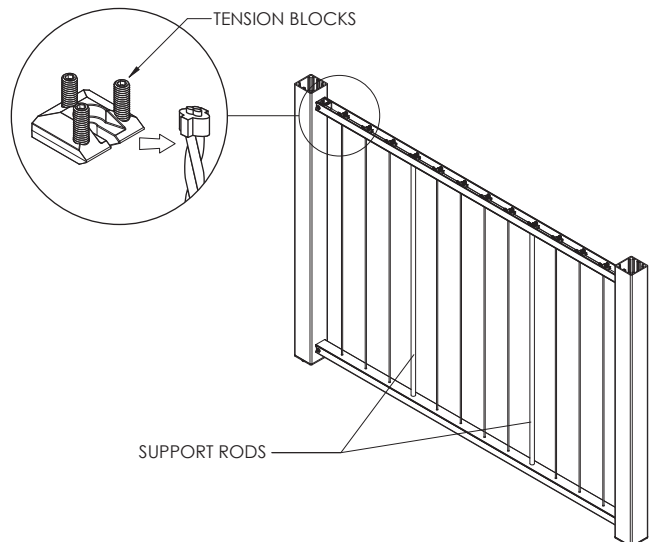
2 Measure and mark 1.75" up from bottom of each gate end post. Center and align top edge of one lower cable gate clip on each gate end post and secure using 4x #8 x 3/4" stainless steel self-tapping screws as shown below. Secure Post Drain Covers to the bottom of each gate post with screws provided.



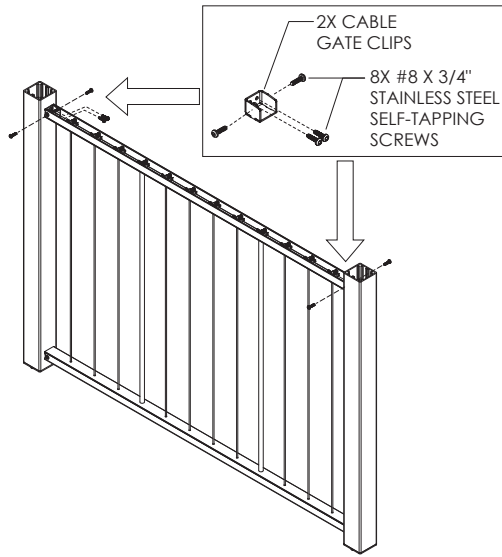
3 Slide vertical cable gate frame sub-assembly onto end posts so bottom channel rests on lower gate clips as shown below. While holding/clamping/strapping gate together, secure bottom channel to lower clips using 4x #8 x 3/4" stainless steel self-tapping screws.



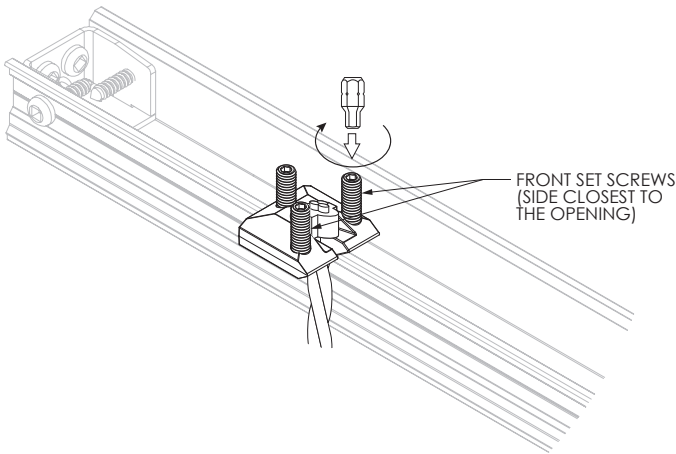
4 Insert support rods into the holes located on the top and bottom channels as shown below. Install tension blocks with set screws provided. DO NOT TIGHTEN SET SCREWS. Ensure set screws do not cause blocks to be unlevel – back them out of the block if necessary.



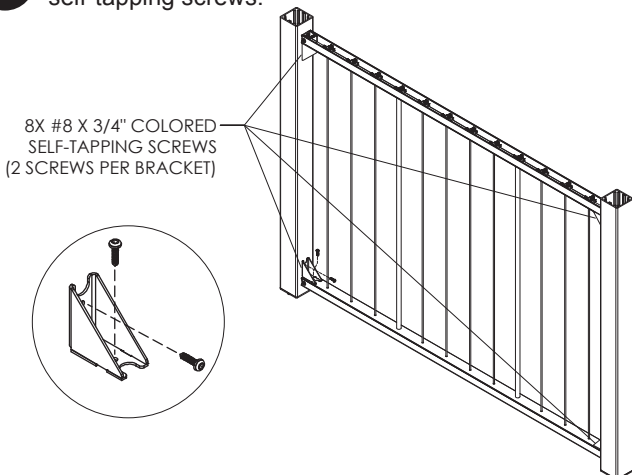
- 5** Lift up to pull the slack out of the cables and hold or clamp in place. Insert 2x Gate Clips into the top channel and secure to the end posts. Then secure the vertical cable gate frame sub-assembly to the Gate Clips using 8x #8 x 3/4" stainless steel self-tapping screws.



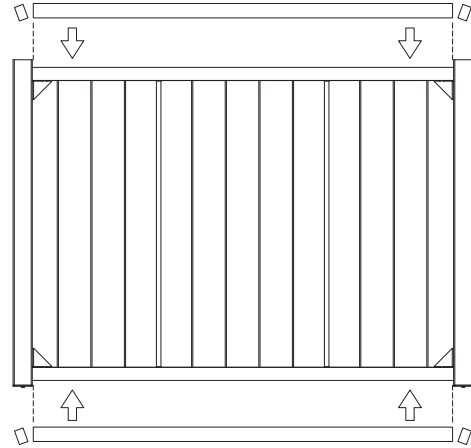
- 6** **ADJUST TWO FRONT SCREWS FIRST** for each tension block to ensure the the tension block remains level. **CAUTION: DO NOT OVER TIGHTEN SET SCREWS.** Using a tension gauge, carefully tension cables to 100-137 lbs.



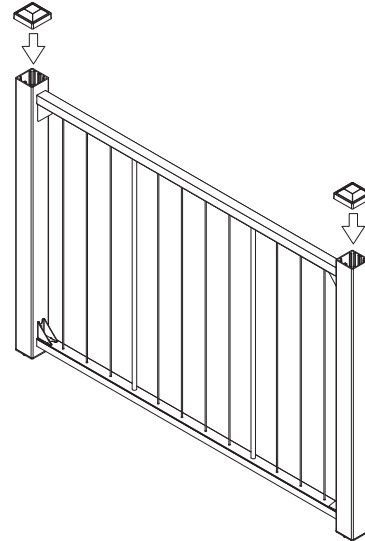
- 7** Install four gate support brackets using 8x #8 x 3/4" colored self-tapping screws.



- 8** If gate was cut down, measure between gate end posts. Mark and cut top and bottom snaps 1/16" less than opening. Clean cut areas and apply touch-up paint on all exposed metal. Push top and bottom snaps onto channels until properly seated.



- 9** Install post caps after gate assembly is completed. Silicone adhesive is recommended to secure post caps.



- 10** Install gate hinges per instructions provided in hinge package.

- 11** Install gate latch as per instructions provided in latch package.